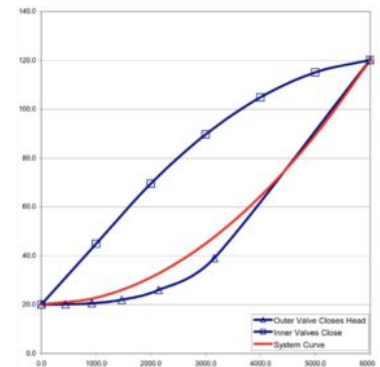


Monday, February 10, 2020

Variable Speed Pump Control – More Detailed Curve and Area Control

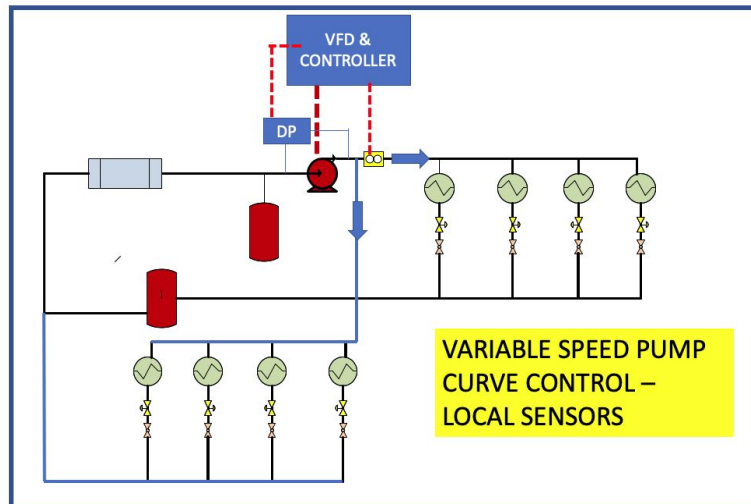
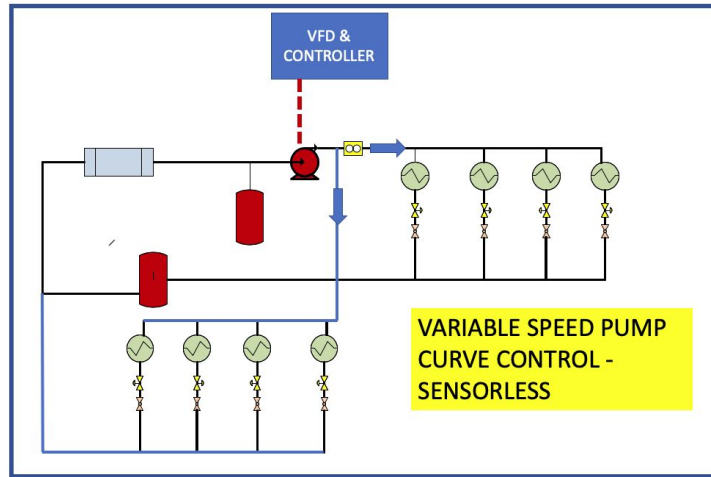
Monday Morning Minutes | by Norm Hall, February 10, 2020

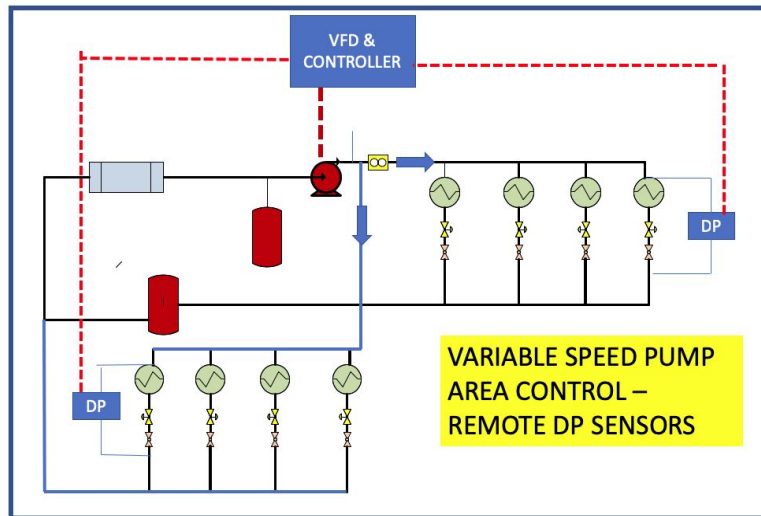
Curve control, Area control, Sensorless control, Remote DP sensor control. Local sensor control: the shopping cart of speed pump controls can get overwhelming. We just completed the 2020 ASHRAE winter meeting and the AHR show. During the show, Bell & Gossett released a new technical document describing pump control in simple detail.



Speed Pump Control Options

The subject of variable speed pump control is peppered throughout many of our past [R. L. Deppmann Monday Morning Minutes](#). Just look at the index to the right of this article to click into the many articles previously posted. At the AHR show in Orlando, Bell & Gossett released a great article written by Alan Jones and Jordan Ruff: [There is no one-size-fits-all control strategy in variable speed pumping](#). There is a comparison of multiple types of control.





Take a moment to read this great article and contact your local B&G representative ([R.L. Deppmann](#) in Michigan and Northern Ohio) if you would like to request a meeting or seminar to show examples and more details.