

Monday, March 4, 2019

Domestic Water Recirculation: Residential and Small Commercial

Monday Morning Minutes | by Norm Hall,

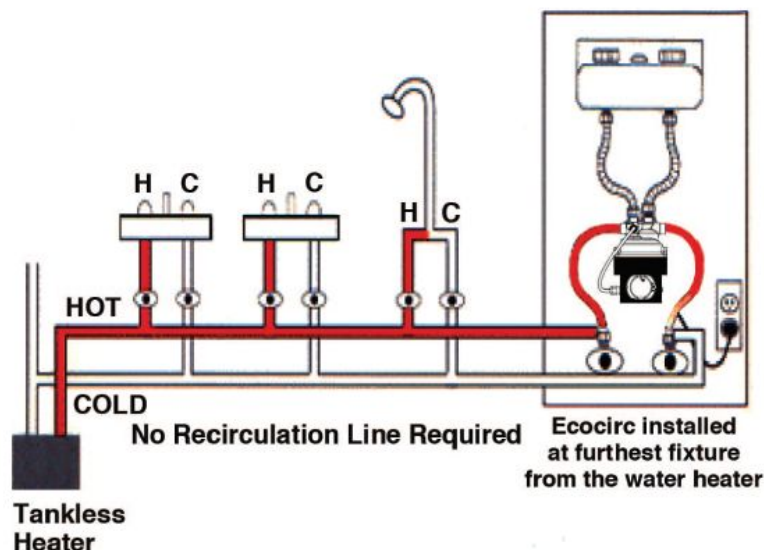
March 4, 2019

We have all experienced the long wait for hot water to get to the master bath or the kitchen sink. Gallon after gallon of water is going down the drain with no use. Two, four, or six minutes of time spent waiting for the water to get hot. It can get frustrating, expensive, and wasteful. Bell & Gossett, a Xylem company, has a solution for you. There are three solutions depending on your needs. Let's briefly take a look at each one of them.



Domestic Hot Water Recirculation Option #1: Kitchen Sinks and Jetted Tubs

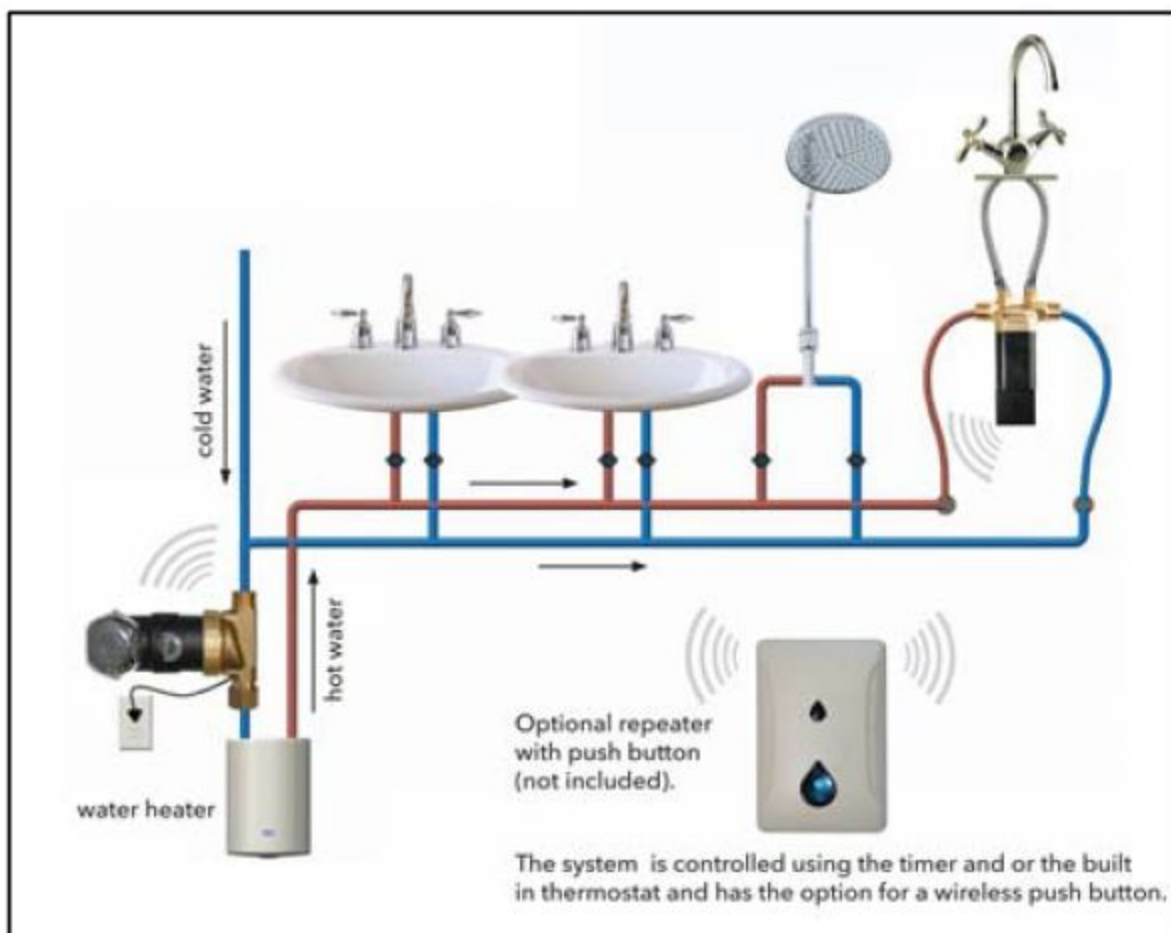
Often times, the area where we are trying to improve the water delivery has an electrical outlet. Think of a master bath with a whirlpool style tub. The access area for the tub will include a pump and will typically include a 110 V outlet. The Bell and Gossett **B 23.5-ACT Under Sink Pump** is perfect for this application.



Domestic Hot Water Recirculation Option #2: Wireless Option for Bathroom Sinks

What can you do if you do not have a 110 V outlet under the sink? Bell and Gossett has a solution; the **Ecocirc Wireless Instant Hot Water System**. This system has a thermostatic wireless transmitter piped into the hot and cold water under your sink. The system does include a 10 W pump which would be installed by the water heater powered from a 110 V plug outlet near the water heater.

The transmitter senses when the temperature is too low and starts the pump and circulates a small amount of hot water in a circle through the cold water line: just enough to keep the water warm at the sink.



Domestic Hot Water Recirculation Option #3: Homes that have a Recirculation Piping System

Some larger homes have been plumbed with the return piping included. For these homes, Bell and Gossett offers a very small 10 W recirculation pump: the **E3 Circulator**. These are plumbed like a traditional installation near the water heater.

Visit our website for more information. These products are available through many plumbing and heating wholesalers.