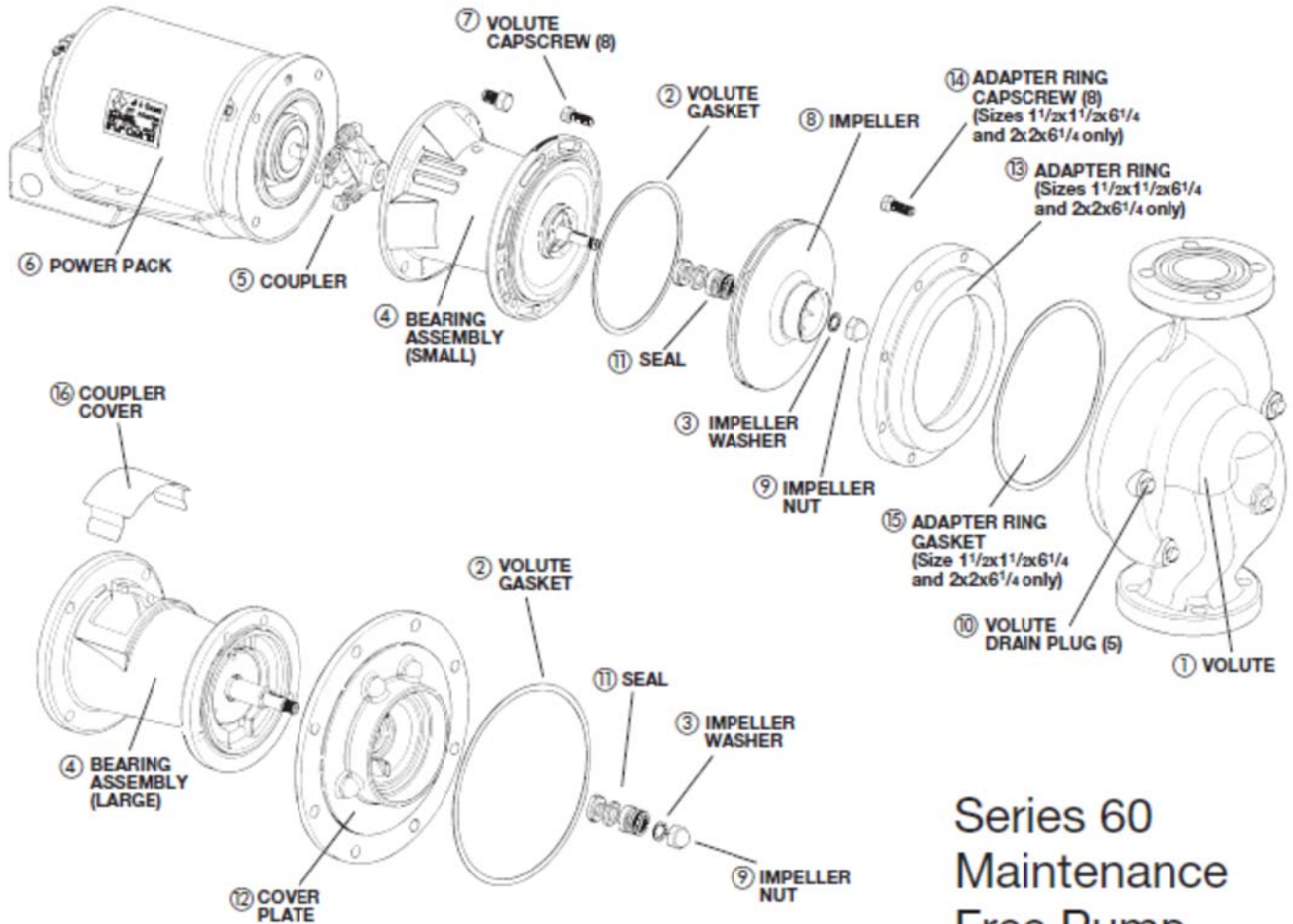


# Bell & Gossett Series 60 pump

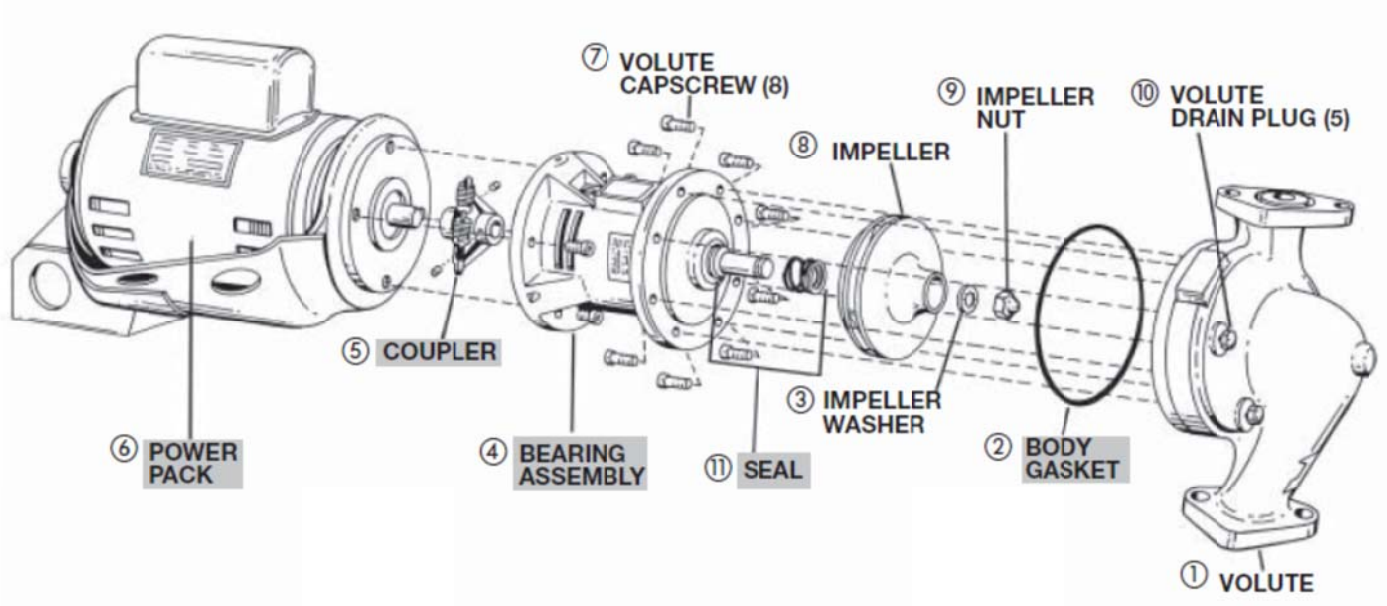
## Series 60 pump exploded view



Series 60  
Maintenance  
Free Pump  
Exploded View

## Bell & Gossett Series PD & Series 60 pump

### Series PD & Series 60 – sleeve bearing pumps exploded view



### Series PD & Series 60 – Sleeve Bearing Pumps

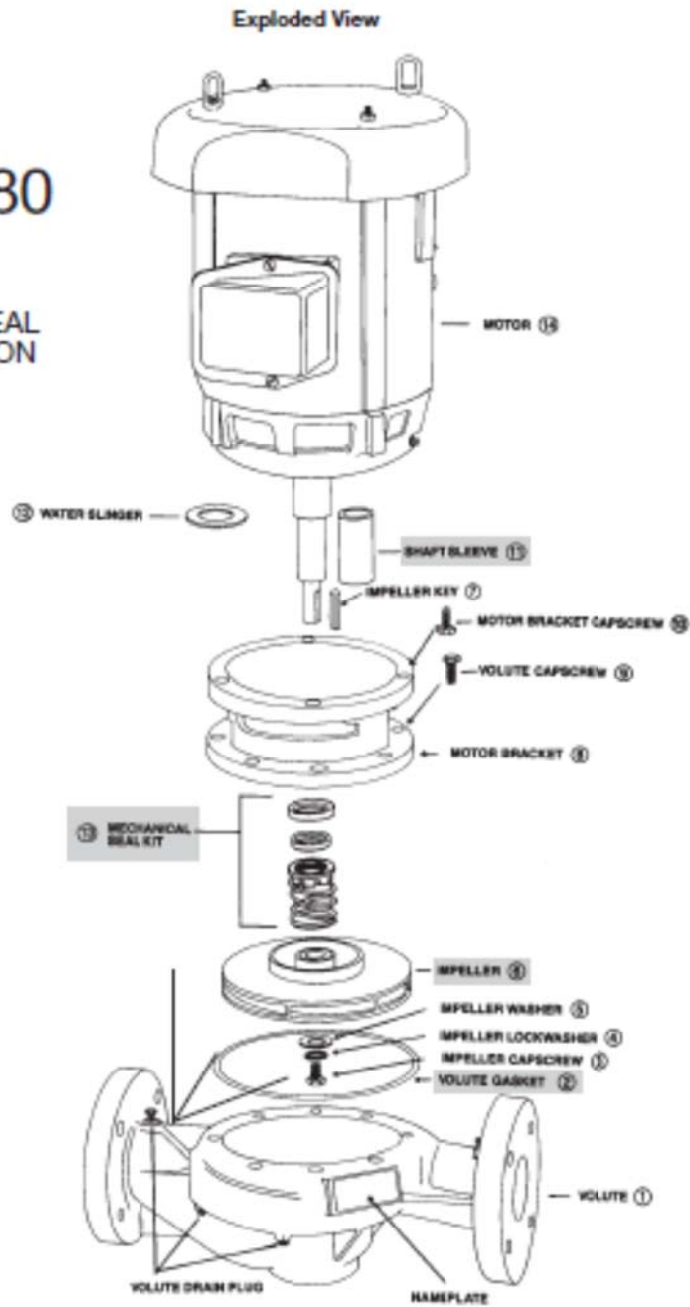
Exploded View

■ – Factory recommended spare parts.

# Bell & Gossett Series 80 pump

## Series 80 pump exploded view

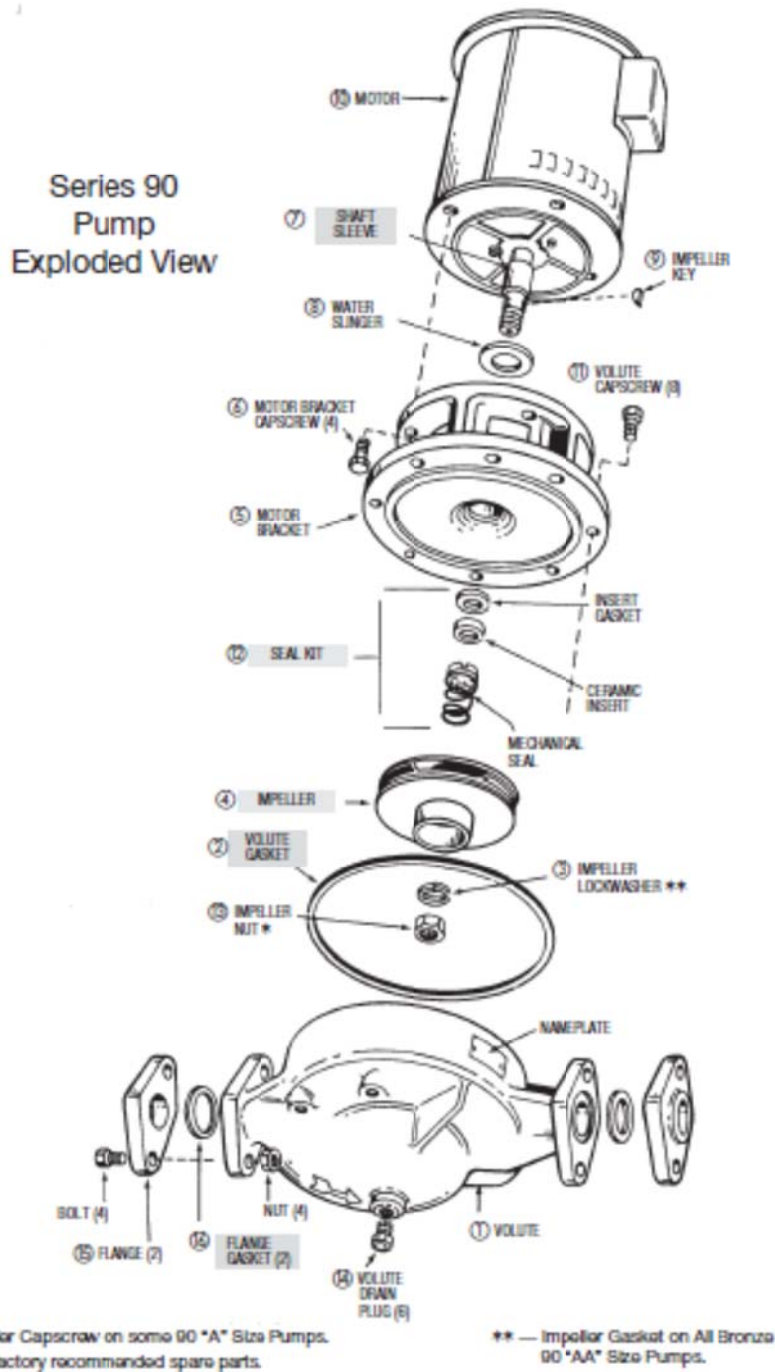
**Series 80  
Pump**  
STANDARD SEAL  
CONSTRUCTION



■ - Factory recommended spare parts.

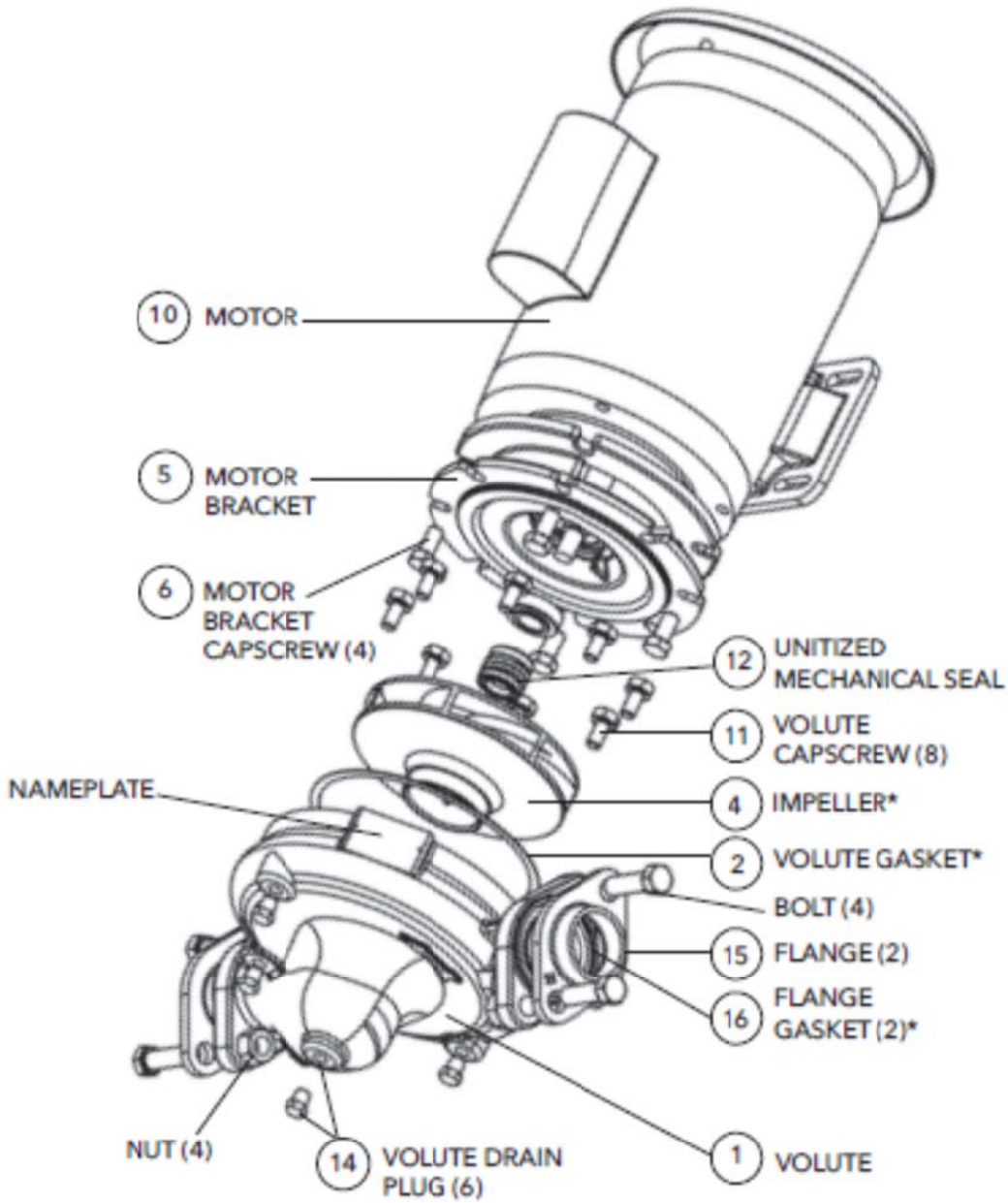
# Bell & Gossett Series 90 pump

## Series 90 pump exploded view



## Bell & Gossett Series e-90 pump

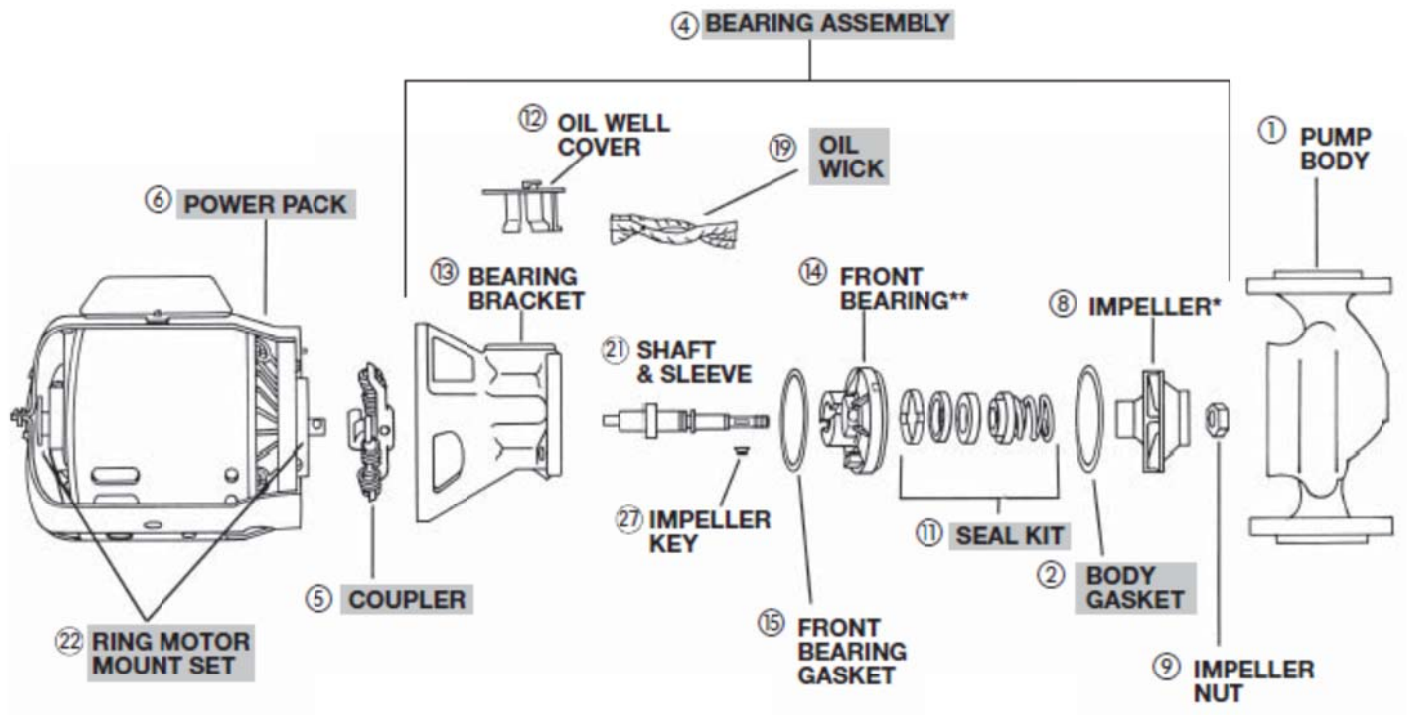
### Series e-90 pump exploded view



\* Factory recommended spare parts

## Bell & Gossett Series 100, HV, 2", PR, 2 1/2", LD-3 & HD-3 pump

Series 100, Series HV, 2", PR, 2 1/2", LD-3 & HD-3 pump exploded view



### Circulator

Exploded View  
For Series 100, Series HV, 2",  
PR, 2 1/2", LD-3 & HD-3 Models

\*Impeller not always included in Bearing Assembly.

\*\*Shown rotated 90°.

■ - Factory recommended spare parts.