

autocirc® Instant Hot Water System

As Little As 14 Watts!



- Highly efficient ECM technology
- Long lasting, silent operation
- Saves thousands of gallons of water
- Resistant to scale build up
- No shaft, no seal
- Maintenance free without blockage
- Single bearing design



No Return Line
Required!

Installs within minutes,
directly under the sink.



Technical Data

Motor Design:

Input:

Max. fluid temp:

Max. line pressure:

Compatible fluids:

Shaft-less spherical motor

14 Watts

203°F / 95°C

145 PSI

Potable water, heating water, water/Glycol mixtures*

*Please check pump performance for mixtures of 20% or more glycol.



Get Instant Hot Water at Every Faucet with As Little As 14 Watts!



How autocirc® Works

The autocirc® is the most efficient system, turning on only when the system needs to be replenished with hot water. The pump is installed under the sink farthest from the water heater where hot water takes the longest to arrive. No recirculation line is required.

Fixed Thermostat Models

- A built-in temperature sensor automatically turns the pump ON when water temperature in the hot water line cools down to 85°F. Water is then pumped from the hot to cold line. The autocirc® pump turns OFF automatically when water temperature reaches 95°F, ensuring instant availability of shower warm water with maximum temperature hot water only seconds behind. When the pump is OFF, a built-in auto closure device prevents any other hot-to-cold line or cold-to-hot line mix.

Adjustable Thermostat Models

- For models with the adjustable thermostat, there is an adjustable “ON” temperature range from 77°F to 91°F (25°C to 33°C). This built-in temperature sensor will turn the circulator OFF when it reaches 95°F (35°C) and turn the circulator ON when the temperature cools down to the “ON” temperature set point.

Hot water will also be instantly available at all other faucets located on the hot water supply line between the water heater and the faucet where the autocirc® is installed.

Design

The autocirc® has a spherical motor. The only moving part of the pump is a spherical rotor/impeller unit which is suspended on a wear resistant ceramic ball. B&G pumps are completely shaft-less. The patented, design eliminates problem shafts, seals and cylindrical bearings found on conventional, mechanically sealed canned pumps.



Benefits

- Silent during operation
- Requires only one pump and one installation for all fixtures on the hot water plumbing line
- Does not require a return line
- Saves the average family of four thousands of gallons of water annually
- Saves money and pays for itself in a short period of time

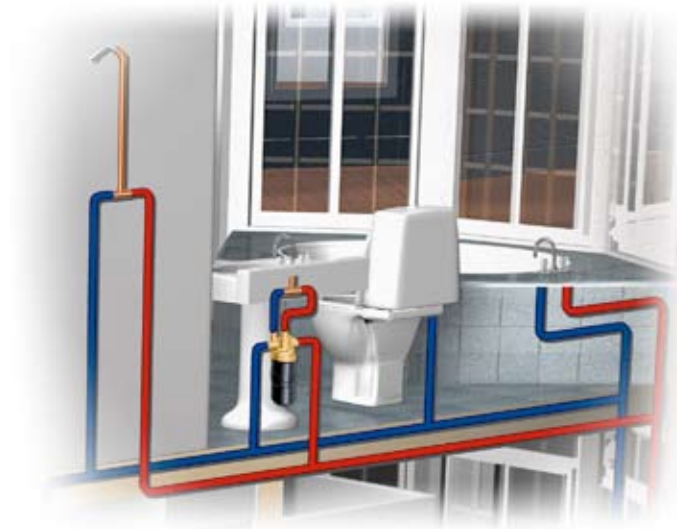
Features

- Built-in 24-hour timer which allows the selection of system operating periods to suit family usage
- Built-in fixed thermostat or an optional, adjustable ON thermostat
- Comes complete with a 6 ft. long power cord

Available Models

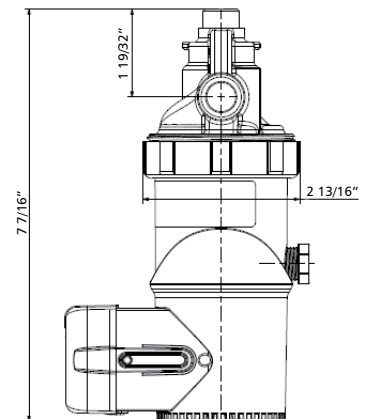
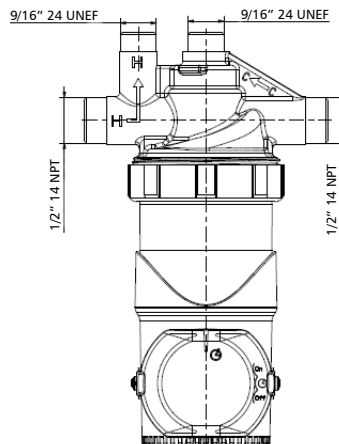
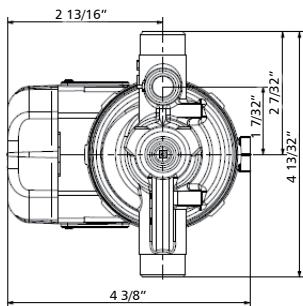
Part Number	Description	Model	Weight
LHB08100098	Lead Free Brass* Autocirc 1/2" Fixed Thermostat with Timer	e ³ -4_-/BDPQC	4lbs.
LHB08100099	Lead Free Brass* Autocirc 1/2" Adjustable "ON" Thermostat with Timer	e ³ -4_-/BDPRC	4lbs.

*Less than 0.25% Pb on wetted parts surface areas.



Typical Installation Scheme

autocirc[®] is installed under the sink farthest from the water heater where hot water takes longest to arrive.



ITT
 8200 N. Austin Avenue
 Morton Grove, Illinois 60053
 Tel: (847) 966-3700
 Fax: (847) 966-9052
 www.bellgossett.com



Engineered for life